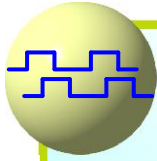
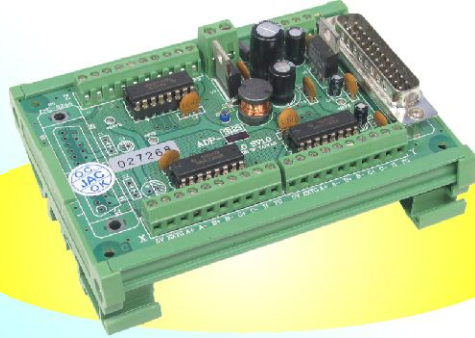


Bridging the Gap between Real World and Computer

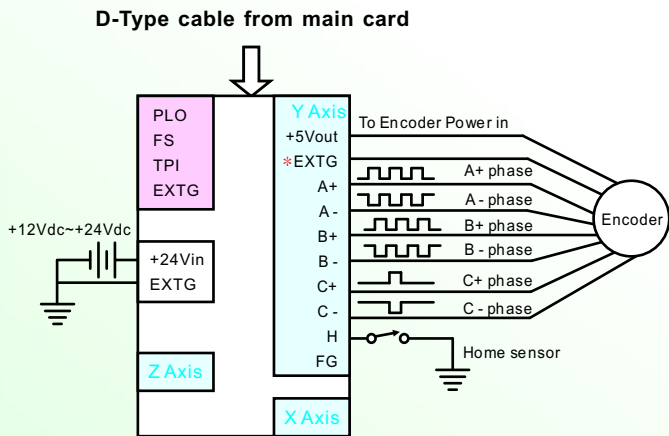


LSI3123A Wiring Board

ADP3123DIN



Wiring Diagram



* Differential signals needs connect EXTG as common.

Pulse Input under various mode			
Input Terminal	Quadrature	Single Pulse	Dual Pulse
A+	A+	Clock+	CW+
A-	A-	Clock-	CW-
B+	B+	Dir+	CCW+
B-	B-	Dir-	CCW-
C+	C+	NA	NA
C-	C-	NA	NA

Matched I/O Card

► LSI3123A : 3-axis Quadrature Encoder Counter Card (High noise immunity with photo-coupler isolation, Accurite linear scale absolute coordinate mode) P.33

Specifications

- Power requirement : 12Vdc ~ 24Vdc
- On Board Build-In s.p.s. : +5Vdc 500mA (Max)
- Differential to single-end conversion for LSI-3123/A/L
- Specific Input : 3-Axis A+, A-, B+, B-, C+, C-
- Connector : One D-type 25-pin male connector
- Operation Temperature : 0 °C ~ +70 °C
- Operation Humidity : 5~95% RH, non-condensing
- Dimension : 86(W)*113(L)*47(H)mm
3.4(W)*4.5(L)*1.9(H)in

Pin Assignments

PROBE_LED_OUT	13	25	EXTG
FOOT_SW_IN	12	24	EXTG
TOUCH_PROBE_IN	11	23	EXTG
Z_C	10	22	EXTG
Z_B	9	21	EXTG
Z_A	8	20	EXTG
Y_C	7	19	EXTG
Y_B	6	18	EXTG
Y_A	5	17	EXTG
X_C	4	16	+12Vout
X_B	3	15	NC
X_A	2	14	+5Vout
+5Vout	1		