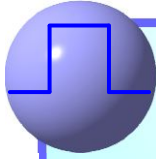


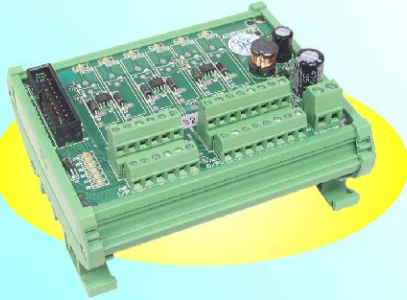


Bridging the Gap between Real World and Computer

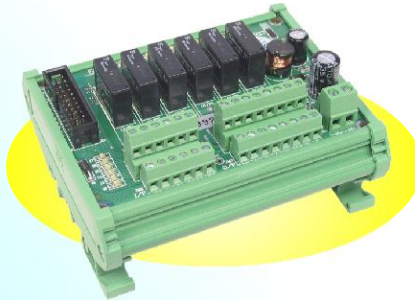


DIO3217 Wiring Board

ADP3217DIN(P) CE



ADP3217DIN(R) CE



ADP3217DIN(S) CE



Specifications

- ▶ Power requirement : 24Vdc \pm 4Vdc
- ▶ Input : 6 with LED indicators, 2 specific timer / counter input
- ▶ Output :
 - ADP3217DIN(R) : 6 Relays (3A @250Vac, 3A @30Vdc) with LED indicators, 2 high speed isolated open collector output
 - ADP3217DIN(S) : 6 SSR (2A @240Vac) with LED indicators, 2 high speed isolated open collector output
 - ADP3217DIN(P) : 6 PMOS (Source 1A @24Vdc) with LED indicators, 2 high speed isolated open collector output
- ▶ Connector : One 20-pin male flat-cable connector
- ▶ Operation Temperature : 0 °C ~ +70 °C
- ▶ Operation Humidity : 5~95% RH, non-condensing
- ▶ Dimension :
 - ADP3217DIN(R)/(P) : 86(W)*103(L)*45(H)mm
3.4(W)*4.1(L)*1.8(H)in
 - ADP3217DIN(S) : 86(W)*103(L)*50(H)mm
3.4(W)*4.1(L)*2.0(H)in

Matched I/O Card

- ▶ **DIO3217** : 32-channel Digital I/O Card with multi-function timer/counter for 16 DI and 16 DO Photo-coupler isolated **P.57**

Pin Assignments

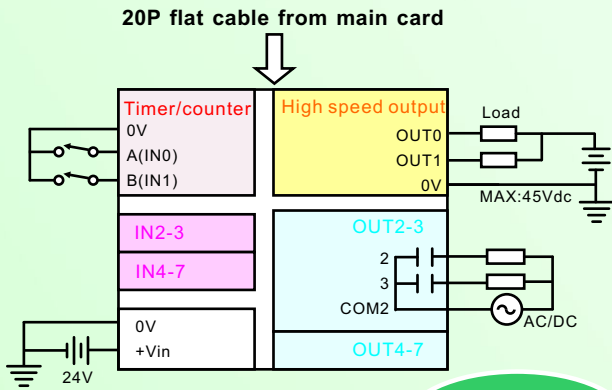
IN0(High speed in)	1	2	OUT0(High speed out)
IN1(High speed in)	3	4	OUT1(High speed out)
IN2	5	6	OUT2
IN3	7	8	OUT3
IN4	9	10	OUT4
IN5	11	12	OUT5
IN6	13	14	OUT6
IN7	15	16	OUT7
0V	17	18	0V
EXT +24Vin	19	20	EXT +24Vin

Note

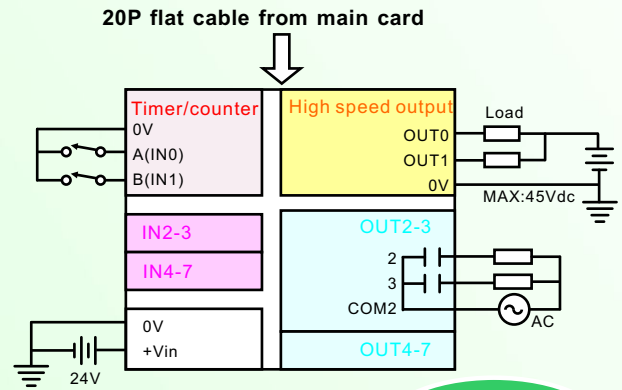


Bridging the Gap between Real World and Computer

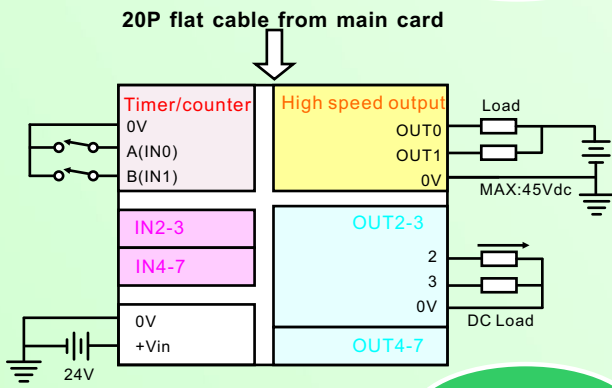
Wiring Diagram



ADP3217
DIN(R)



ADP3217
DIN(S)



ADP3217
DIN(P)

Note