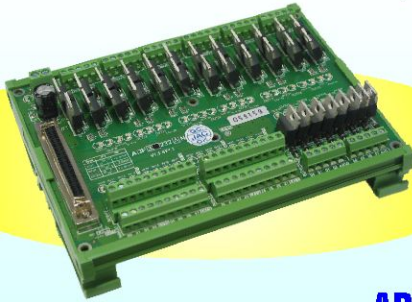




Bridging the Gap between Real World and Computer

DI03232A/B Wiring Board

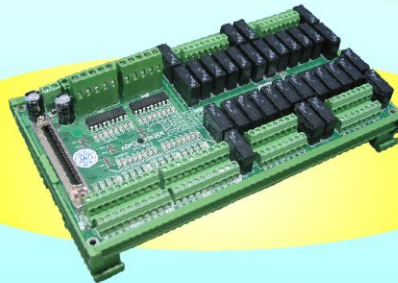
ADP3232ADIN(N) CE



ADP3232ADIN(P) CE



ADP3232ADIN(R) CE



Specifications

- ▶ Power requirement : 24Vdc \pm 4Vdc
- ▶ Input : 32 with LED indicators, 8 digit per group with Green LED at first digit
- ▶ Output :
 - ADP3232ADIN(N) : 32 NMOS (Sink 1A @120Vdc) with LED indicators, 8 digit per group with Green LED at first digit
 - ADP3232ADIN(P) : 32 PMOS (Source 1A @24Vdc) with LED indicators, 8 digit per group with Green LED at first digit
 - ADP3232ADIN(R) : 32 Relays (3A @250Vac, 3A @30Vdc) with LED indicators, 8 digit per group with Green LED at first digit
- ▶ Power Indicator : Red LED
- ▶ Connector : One 68-pin SCSI-II female connector
- ▶ Operation Temperature : 0 °C ~ +70 °C
- ▶ Operation Humidity : 5~95% RH, non-condensing
- ▶ Dimension :
 - ADP3232ADIN(N) : 121(W)*159(L)*47(H)mm
4.8(W)*6.3(L)*1.9(H)in
 - ADP3232ADIN(P) : 121(W)*159(L)*45(H)mm
4.8(W)*6.3(L)*1.8(H)in
 - ADP3232ADIN(R) : 121(W)*204(L)*45(H)mm
4.8(W)*8.1(L)*1.8(H)in

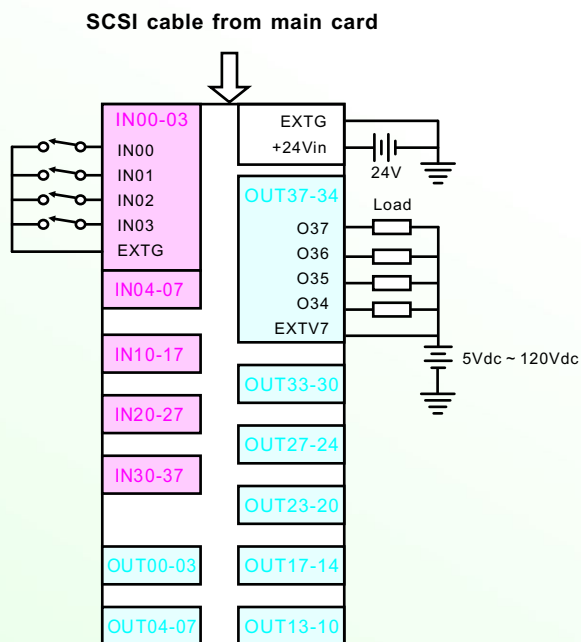
Pin Assignments

+24Vin	68	34	+24Vin
+24Vin	67	33	+24Vin
OUT37	66	32	OUT36
OUT35	65	31	OUT34
OUT33	64	30	OUT32
OUT31	63	29	OUT30
OUT27	62	28	OUT26
OUT25	61	27	OUT24
OUT23	60	26	OUT22
OUT21	59	25	OUT20
OUT17	58	24	OUT16
OUT15	57	23	OUT14
OUT13	56	22	OUT12
OUT11	55	21	OUT10
OUT07	54	20	OUT06
OUT05	53	19	OUT04
OUT03	52	18	OUT02
OUT01	51	17	OUT00
IN37	50	16	IN36
IN35	49	15	IN34
IN33	48	14	IN32
IN31	47	13	IN30
IN27	46	12	IN26
IN25	45	11	IN24
IN23	44	10	IN22
IN21	43	9	IN20
IN17	42	8	IN16
IN15	41	7	IN14
IN13	40	6	IN12
IN11	39	5	IN10
IN07	38	4	IN06
IN05	37	3	IN04
IN03	36	2	IN02
IN01	35	1	IN00

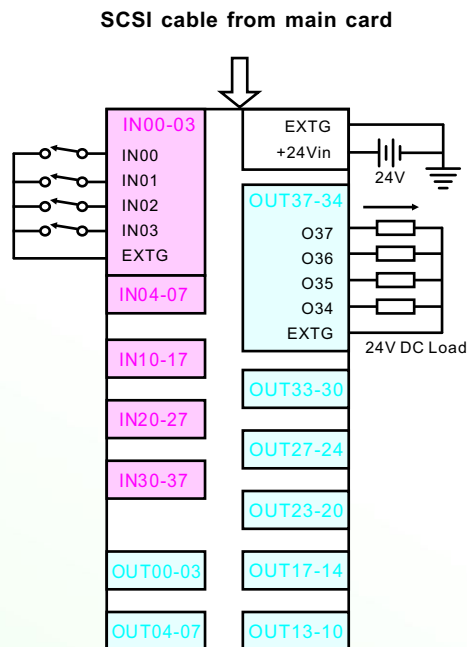


Bridging the Gap between Real World and Computer

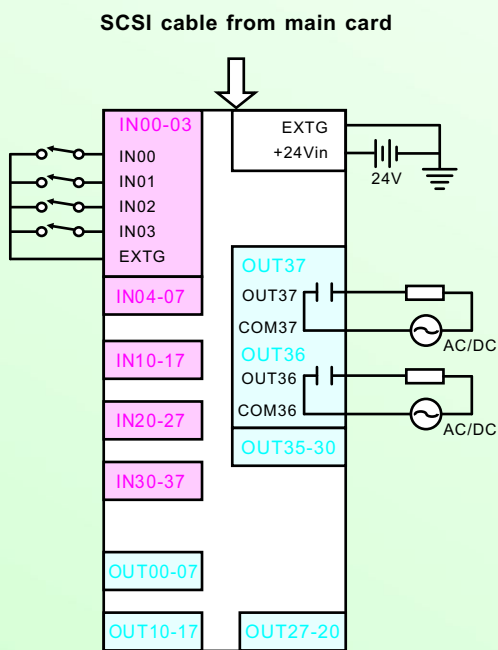
Wiring Diagram



ADP3232A
DIN(N)



ADP3232A
DIN(P)



ADP3232A
DIN(R)

Matched I/O Card

- **DIO3232A** : 64-channel Digital I/O Card for 32 DI and 32 DO
Photo-coupler isolated [P.59](#)
- **DIO3232B** : 64-channel Digital +16 TTL I/O Card for 32 DI and 32 DO
Photo-coupler isolated [P.59](#)