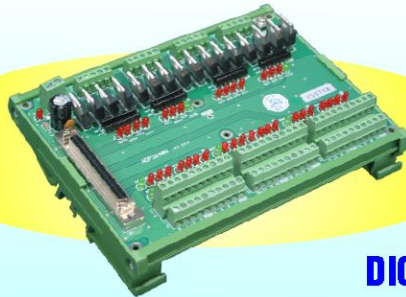




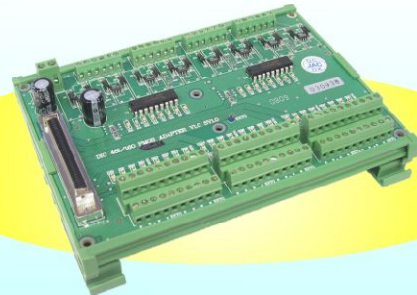
# Bridging the Gap between Real World and Computer

## DIO3248A/B Wiring Board

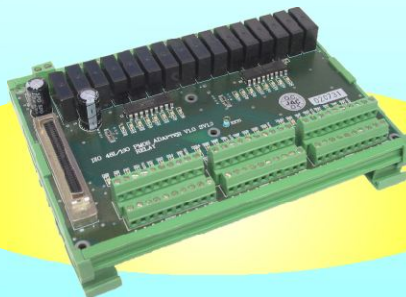
**ADP3248DIN(N)** CE



**DIO3248DIN(P)** CE



**DIO3248DIN(R)** CE



### Specifications

- ▶ Power requirement : 24Vdc  $\pm$  4Vdc
- ▶ Input : 48 with LED indicators, 8 digit per group with Green LED at first digit
- ▶ Output :
  - ADP3248DIN(N) : 16 NMOS (Sink 1A @120Vdc) 8 LED indicators per group with Green LED at first digit
  - DIO3248DIN(P) : 16 PMOS (Source 1A @24Vdc) 8 LED Indicators per group with Green LED at first digit
  - DIO3248DIN(R) : 16 Relays (3A @250Vac, 3A @30Vdc) 8 LED indicators per group with Green LED at first digit
- ▶ Power Indicator : Red LED
- ▶ Connector : One 68-pin SCSI-II female connector
- ▶ Operation Temperature : 0 °C ~ +70 °C
- ▶ Operation Humidity : 5~95% RH, non-condensing
- ▶ Dimension :
  - ADP3248DIN(N) : 121(W)\*159(L)\*47(H)mm  
4.8(W)\*6.3(L)\*1.9(H)in
  - DIO3248DIN(R)/(P) : 121(W)\*159(L)\*45(H)mm  
4.8(W)\*6.3(L)\*1.8(H)in

### Pin Assignments

+24Vin	<b>68 34</b>	+24Vin
+24Vin	<b>67 33</b>	+24Vin
OUT15	<b>66 32</b>	OUT14
OUT13	<b>65 31</b>	OUT12
OUT11	<b>64 30</b>	OUT10
OUT9	<b>63 29</b>	OUT8
OUT7	<b>62 28</b>	OUT6
OUT5	<b>61 27</b>	OUT4
OUT3	<b>60 26</b>	OUT2
OUT1	<b>59 25</b>	OUT0
IN47	<b>58 24</b>	IN46
IN45	<b>57 23</b>	IN44
IN43	<b>56 22</b>	IN42
IN41	<b>55 21</b>	IN40
IN39	<b>54 20</b>	IN38
IN37	<b>53 19</b>	IN36
IN35	<b>52 18</b>	IN34
IN33	<b>51 17</b>	IN32
IN31	<b>50 16</b>	IN30
IN29	<b>49 15</b>	IN28
IN27	<b>48 14</b>	IN26
IN25	<b>47 13</b>	IN24
IN23	<b>46 12</b>	IN22
IN21	<b>45 11</b>	IN20
IN19	<b>44 10</b>	IN18
IN17	<b>43 9</b>	IN16
IN15	<b>42 8</b>	IN14
IN13	<b>41 7</b>	IN12
IN11	<b>40 6</b>	IN10
IN9	<b>39 5</b>	IN8
IN7	<b>38 4</b>	IN6
IN5	<b>37 3</b>	IN4
IN3	<b>36 2</b>	IN2
IN1	<b>35 1</b>	IN0

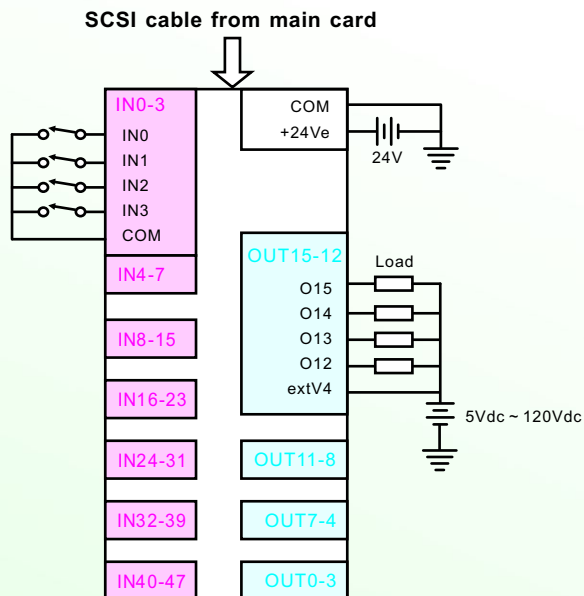
### Matched I/O Card

- ▶ **DIO3248A** : 64-channel Digital I/O Card for 48 DI and 16 DO Photo-coupler isolated **P.61**
- ▶ **DIO3248B** : 64-channel Digital +16TTL I/O Card for 48 DI and 16 DO Photo-coupler isolated **P.61**

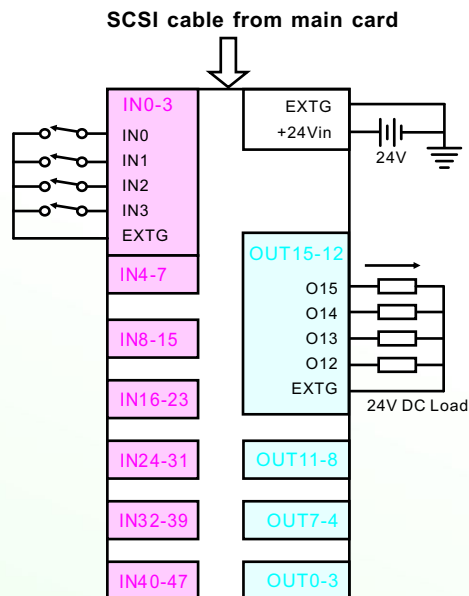


# Bridging the Gap between Real World and Computer

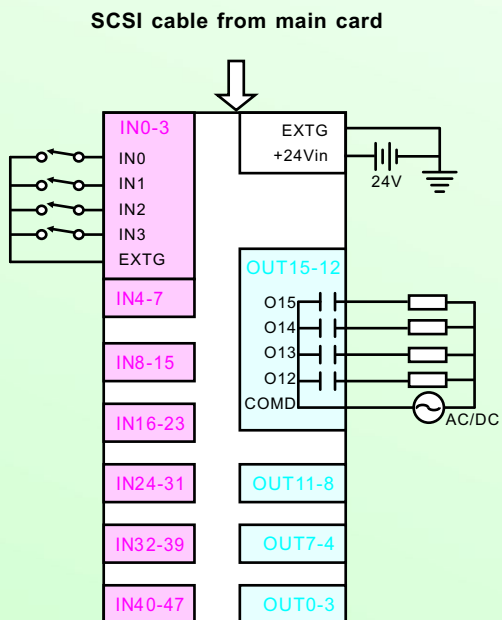
## Wiring Diagram



**ADP3248  
DIN(N)**



**DIO3248  
DIN(P)**



**DIO3248  
DIN(R)**

## Note