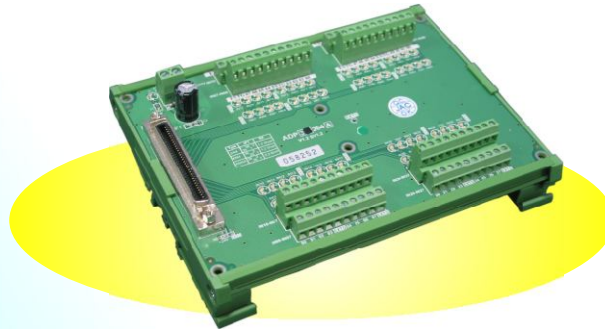




Bridging the Gap between Real World and Computer

DIO3264A/B Wiring Board

ADP3264ADIN CE



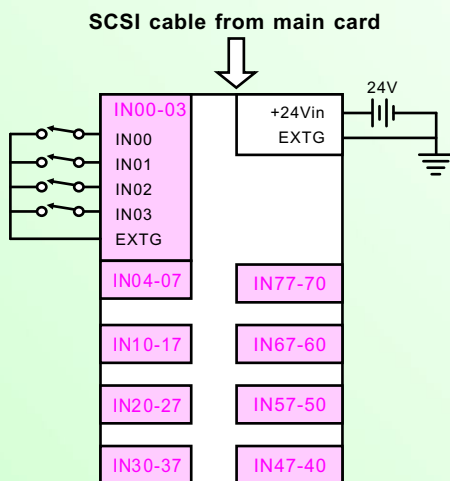
Specifications

- ▶ Power requirement : 24Vdc \pm 4Vdc
- ▶ Input : 64 with LED indicator, 8 digit per group with Green LED at first digit
- ▶ Power Indicator : Red LED
- ▶ Connector : One 68-pin SCSI-II female connector
- ▶ Operation Temperature : 0 °C ~ +70 °C
- ▶ Operation Humidity : 5~95% RH, non-condensing
- ▶ Dimension : 121(W)*159(L)*45(H)mm
4.8(W)*6.3(L)*1.8(H)in

Pin Assignments

+24Vin	68	34	+24Vin
+24Vin	67	33	+24Vin
IN77	66	32	IN76
IN75	65	31	IN74
IN73	64	30	IN72
IN71	63	29	IN70
IN67	62	28	IN66
IN65	61	27	IN64
IN63	60	26	IN62
IN61	59	25	IN60
IN57	58	24	IN56
IN55	57	23	IN54
IN53	56	22	IN52
IN51	55	21	IN50
IN47	54	20	IN46
IN45	53	19	IN44
IN43	52	18	IN42
IN41	51	17	IN40
IN37	50	16	IN36
IN35	49	15	IN34
IN33	48	14	IN32
IN31	47	13	IN30
IN27	46	12	IN26
IN25	45	11	IN24
IN23	44	10	IN22
IN21	43	9	IN20
IN17	42	8	IN16
IN15	41	7	IN14
IN13	40	6	IN12
IN11	39	5	IN10
IN07	38	4	IN06
IN05	37	3	IN04
IN03	36	2	IN02
IN01	35	1	IN00

Wiring Diagram



Matched I/O Card

- ▶ **DIO3264A** : 64-channel Digital I/O Card for 64 Photo-coupler isolated DI [P.63](#)
- ▶ **DIO3264B** : 64-channel Digital +16TTL I/O Card for 64 Photo-coupler isolated DI [P.63](#)