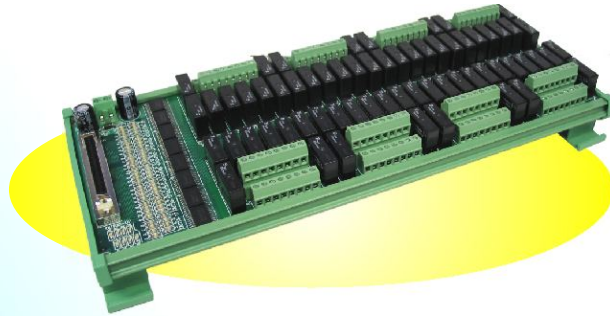




# Bridging the Gap between Real World and Computer

## DIO3265 Wiring Board

ADP3265DIN(R) CE RoHS

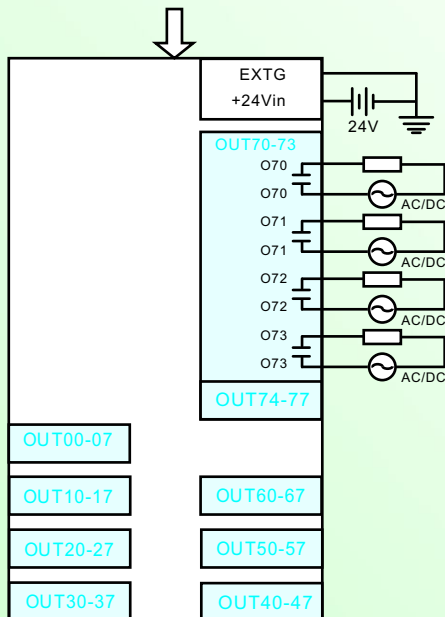


### Specifications

- ▶ Power requirement : 24Vdc  $\pm$  4Vdc
- ▶ Output : 64 with LED indicator, 8 digit per group with Green LED at first digit
- ▶ Power Indicator : Red LED
- ▶ Connector : One 68-pin SCSI-II female connector
- ▶ Operation Temperature : 0 °C ~ +70 °C
- ▶ Operation Humidity : 5~95% RH, non-condensing
- ▶ Dimension : 274(W)\*107(L)\*45(H)mm  
10.8(W)\*4.3(L)\*1.8(H)in

### Wiring Diagram

SCSI cable from main card



### Pin Assignments

+24Vin	<b>68 34</b>	+24Vin
+24Vin	<b>67 33</b>	+24Vin
OUT77	<b>66 32</b>	OUT76
OUT75	<b>65 31</b>	OUT74
OUT73	<b>64 30</b>	OUT72
OUT71	<b>63 29</b>	OUT70
OUT67	<b>62 28</b>	OUT66
OUT65	<b>61 27</b>	OUT64
OUT63	<b>60 26</b>	OUT62
OUT61	<b>59 25</b>	OUT60
OUT57	<b>58 24</b>	OUT56
OUT55	<b>57 23</b>	OUT54
OUT53	<b>56 22</b>	OUT52
OUT51	<b>55 21</b>	OUT50
OUT47	<b>54 20</b>	OUT46
OUT45	<b>53 19</b>	OUT44
OUT43	<b>52 18</b>	OUT42
OUT41	<b>51 17</b>	OUT40
OUT37	<b>50 16</b>	OUT36
OUT35	<b>49 15</b>	OUT34
OUT33	<b>48 14</b>	OUT32
OUT31	<b>47 13</b>	OUT30
OUT27	<b>46 12</b>	OUT26
OUT25	<b>45 11</b>	OUT24
OUT23	<b>44 10</b>	OUT22
OUT21	<b>43 9</b>	OUT20
OUT17	<b>42 8</b>	OUT16
OUT15	<b>41 7</b>	OUT14
OUT13	<b>40 6</b>	OUT12
OUT11	<b>39 5</b>	OUT10
OUT07	<b>38 4</b>	OUT06
OUT05	<b>37 3</b>	OUT04
OUT03	<b>36 2</b>	OUT02
OUT01	<b>35 1</b>	OUT00

### Matched I/O Card

▶ DIO3265 : 64 isolated DO + 16 TTL I/O PCIe P.51