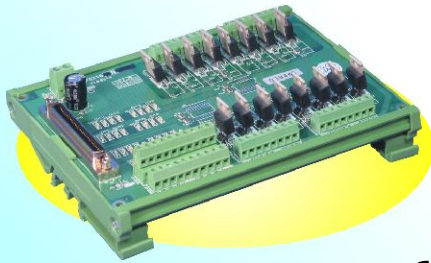




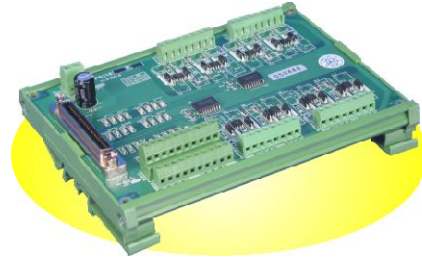
Bridging the Gap between Real World and Computer

DI08216 Wiring Board

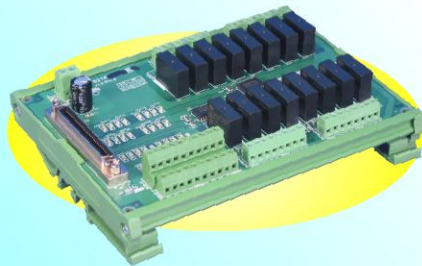
ADP8216DIN(N) CE



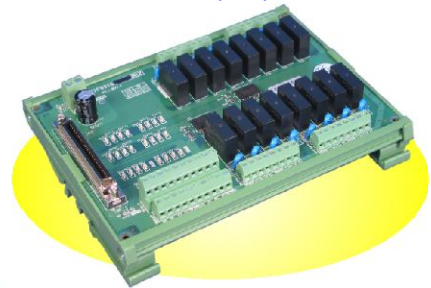
ADP8216DIN(P) CE



ADP8216DIN(R) CE



ADP8216DIN(RZ) CE



Specifications

- ▶ Power requirement : 24Vdc \pm 4Vdc
- ▶ Input : 16 with LED indicators, 8 digit per group with Green LED at first digit
- ▶ Output :
 - ADP8216DIN(N) : 16 NMOS (Sink 1A @120Vdc) with LED indicators, 8 digit per group with Green LED at first digit
 - ADP8216DIN(P) : 16 PMOS (Source 1A @24Vdc) with LED indicators, 8 digit per group with Green LED at first digit
 - ADP8216DIN(R) : 16 Relays (3A @250Vac, 3A @30Vdc) with LED indicators, 8 digit per group with Green LED at first digit
 - ADP8216DIN(RZ) : 16 Relays with ZNR protected and LED indicators (3A @250Vac, 3A @30Vdc), 8 digit per group with Green LED at first digit
- ▶ Power Indicator : Red LED
- ▶ Connector : One 68-pin SCSI-II centronic female connector
- ▶ Operation Temperature : 0 °C ~ +70 °C
- ▶ Operation Humidity : 5~95% RH, non-condensing
- ▶ Dimension :
 - ADP8216DIN(N) : 121(W)*159(L)*47(H)mm
4.8(W)*6.3(L)*1.9(H)in
 - ADP8216DIN(P) : 121(W)*159(L)*45(H)mm
4.8(W)*6.3(L)*1.8(H)in
 - ADP8216DIN(R) : 121(W)*159(L)*45(H)mm
4.8(W)*6.3(L)*1.8(H)in
 - ADP8216DIN(RZ) : 121(W)*159(L)*45(H)mm
4.8(W)*6.3(L)*1.8(H)in

Pin Assignments

+24Vin	68	34	+24Vin
NC	67	33	NC
NC	66	32	NC
NC	65	31	NC
NC	64	30	NC
NC	63	29	NC
NC	62	28	NC
NC	61	27	NC
NC	60	26	NC
OUT17	59	25	OUT16
OUT15	58	24	OUT14
OUT13	57	23	OUT12
OUT11	56	22	OUT10
OUT07	55	21	OUT06
OUT05	54	20	OUT04
OUT03	53	19	OUT02
OUT01	52	18	OUT00
NC	51	17	NC
NC	50	16	NC
NC	49	15	NC
NC	48	14	NC
NC	47	13	NC
NC	46	12	NC
NC	45	11	NC
NC	44	10	NC
IN17	43	9	IN16
IN15	42	8	IN14
IN13	41	7	IN12
IN11	40	6	IN10
IN07	39	5	IN06
IN05	38	4	IN04
IN03	37	3	IN02
IN01	36	2	IN00
+24Vin	35	1	+24Vin

Matched I/O Card

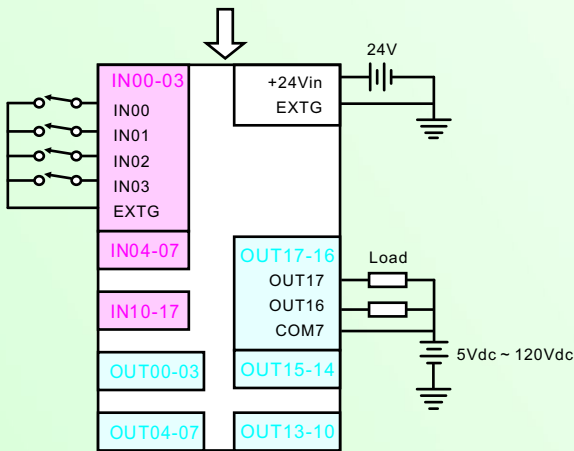
- ▶ DI08216 : 16 DI / 16DO + 16 TTL I/O PCIe P.69



Bridging the Gap between Real World and Computer

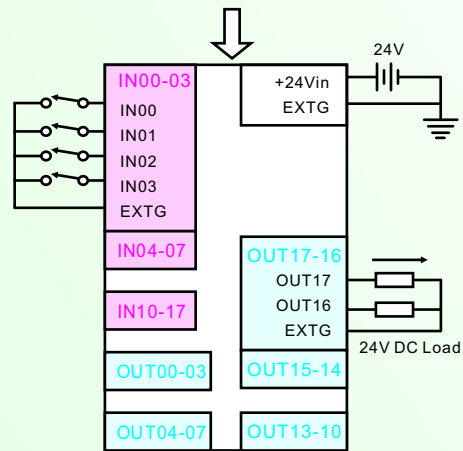
Wiring Diagram

SCSI cable from main card



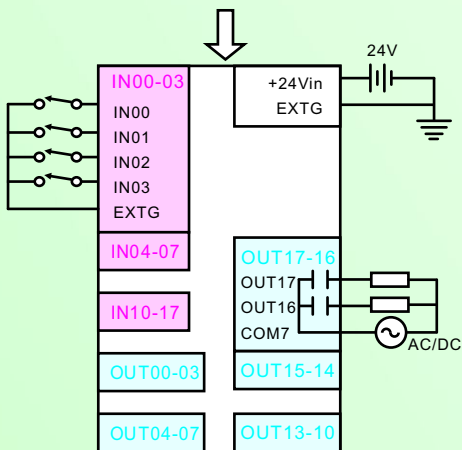
ADP8216
DIN(N)

SCSI cable from main card



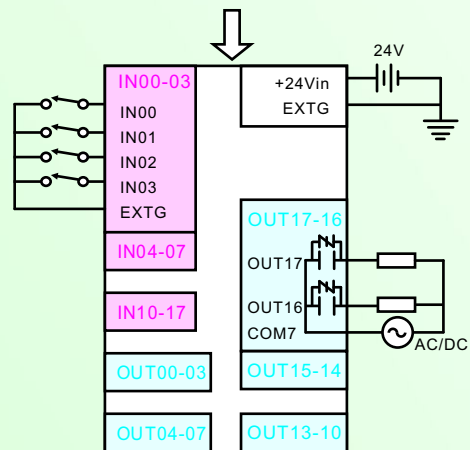
ADP8216
DIN(P)

SCSI cable from main card



ADP8216
DIN(R)

SCSI cable from main card



ADP8216
DIN(RZ)

Note