



Bridging the Gap between Real World and Computer

DI08232 Wiring Board

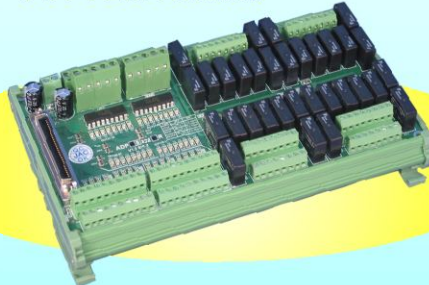
ADP8232DIN(N) CE



ADP8232DIN(P) CE



ADP8232DIN(R) CE



Specifications

- ▶ Power requirement : 24Vdc \pm 4Vdc
- ▶ Input : 32 with LED indicators, 8 digit per group with Green LED at first digit
- ▶ Output :
 - ADP8232DIN(N) : 32 NMOS (Sink 1A @120Vdc) with LED indicators, 8 digit per group with Green LED at first digit
 - ADP8232DIN(P) : 32 PMOS (Source 1A @24Vdc) with LED indicators, 8 digit per group with Green LED at first digit
 - ADP8232DIN(R) : 32 Relays (3A @250Vac, 3A @30Vdc) with LED indicators, 8 digit per group with Green LED at first digit
- ▶ Power Indicator : Red LED
- ▶ Connector : One 68-pin SCSI-II centronic female connector
- ▶ Operation Temperature : 0 °C ~ +70 °C
- ▶ Operation Humidity : 5~95% RH, non-condensing
- ▶ Dimension :
 - ADP8232DIN(N) : 121(W)*159(L)*47(H)mm
4.8(W)*6.3(L)*1.9(H)in
 - ADP8232DIN(P) : 121(W)*159(L)*45(H)mm
4.8(W)*6.3(L)*1.8(H)in
 - ADP8232DIN(R) : 121(W)*204(L)*45(H)mm
4.8(W)*8.1(L)*1.8(H)in

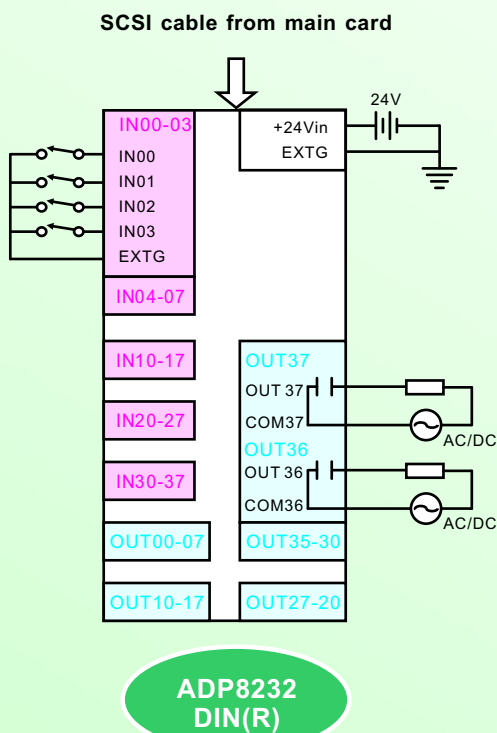
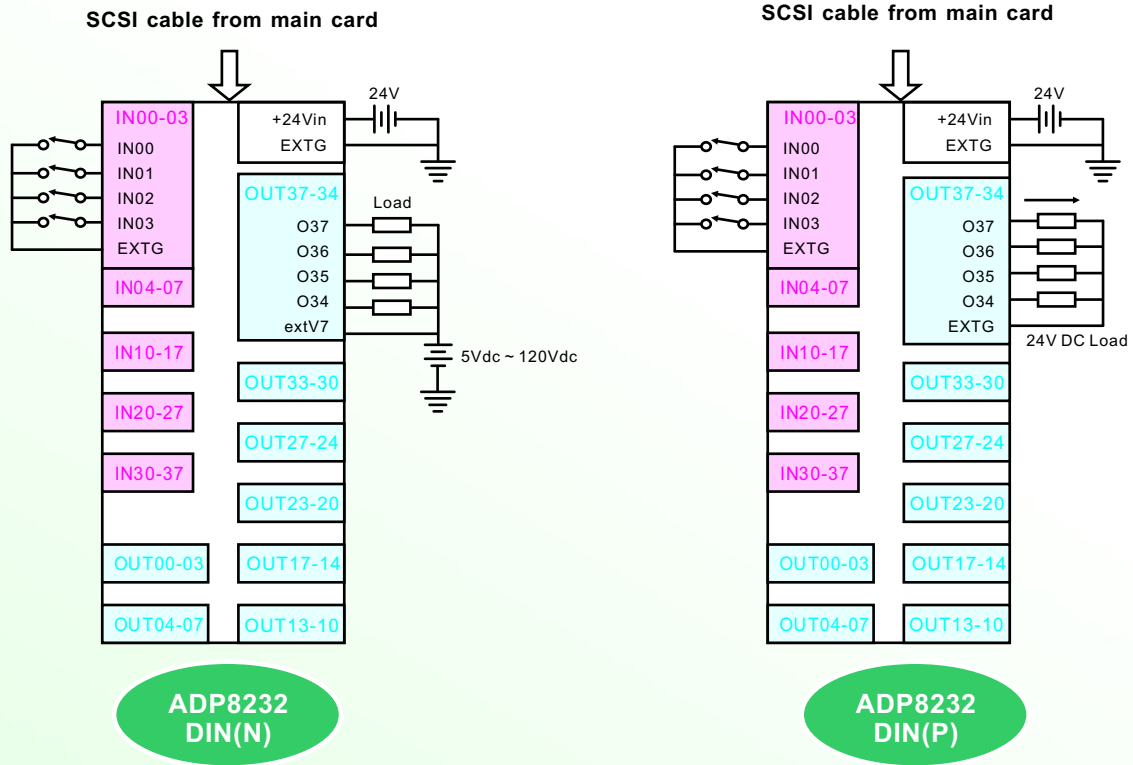
Pin Assignments

+24Vin	68	34	+24Vin
OUT37	67	33	OUT36
OUT35	66	32	OUT34
OUT33	65	31	OUT32
OUT31	64	30	OUT30
OUT27	63	29	OUT26
OUT25	62	28	OUT24
OUT23	61	27	OUT22
OUT21	60	26	OUT20
OUT17	59	25	OUT16
OUT15	58	24	OUT14
OUT13	57	23	OUT12
OUT11	56	22	OUT10
OUT07	55	21	OUT06
OUT05	54	20	OUT04
OUT03	53	19	OUT02
OUT01	52	18	OUT00
IN37	51	17	IN36
IN35	50	16	IN34
IN33	49	15	IN32
IN31	48	14	IN30
IN27	47	13	IN26
IN25	46	12	IN24
IN23	45	11	IN22
IN21	44	10	IN20
IN17	43	9	IN16
IN15	42	8	IN14
IN13	41	7	IN12
IN11	40	6	IN10
IN07	39	5	IN06
IN05	38	4	IN04
IN03	37	3	IN02
IN01	36	2	IN00
+24Vin	35	1	+24Vin



Bridging the Gap between Real World and Computer

Wiring Diagram



Matched I/O Card

► DIO8232 : 32DI / 32DO + 16TTL I/O PCIe P.73