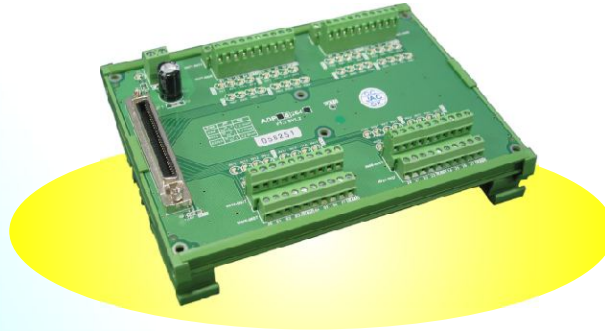




# Bridging the Gap between Real World and Computer

## DI08264 Wiring Board

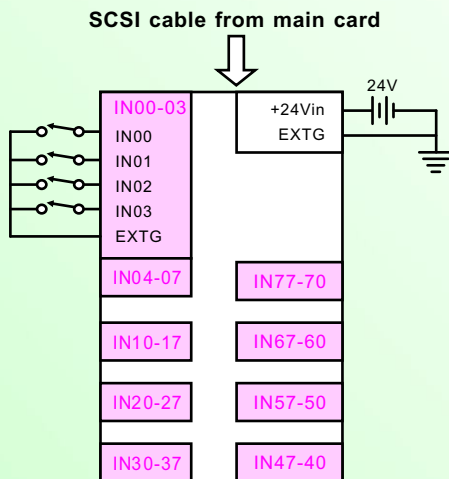
ADP8264DIN CE RoHS



### Specifications

- ▶ Power requirement : 24Vdc ± 4Vdc
- ▶ Input : 64 with LED indicator, 8 digit per group with Green LED at first digit
- ▶ Power Indicator : Red LED
- ▶ Connector : One 68-pin SCSI-II centronic female connector
- ▶ Operation Temperature : 0 °C ~ +70 °C
- ▶ Operation Humidity : 5~95% RH, non-condensing
- ▶ Dimension : 121(W)\*159(L)\*45(H)mm  
4.8(W)\*6.3(L)\*1.8(H)in

### Wiring Diagram



### Pin Assignments

+24Vin	<b>68</b>	<b>34</b>	+24Vin
IN77	<b>67</b>	<b>33</b>	IN76
IN75	<b>66</b>	<b>32</b>	IN74
IN73	<b>65</b>	<b>31</b>	IN72
IN71	<b>64</b>	<b>30</b>	IN70
IN67	<b>63</b>	<b>29</b>	IN66
IN65	<b>62</b>	<b>28</b>	IN64
IN63	<b>61</b>	<b>27</b>	IN62
IN61	<b>60</b>	<b>26</b>	IN60
IN57	<b>59</b>	<b>25</b>	IN56
IN55	<b>58</b>	<b>24</b>	IN54
IN53	<b>57</b>	<b>23</b>	IN52
IN51	<b>56</b>	<b>22</b>	IN50
IN47	<b>55</b>	<b>21</b>	IN46
IN45	<b>54</b>	<b>20</b>	IN44
IN43	<b>53</b>	<b>19</b>	IN42
IN41	<b>52</b>	<b>18</b>	IN40
IN37	<b>51</b>	<b>17</b>	IN36
IN35	<b>50</b>	<b>16</b>	IN34
IN33	<b>49</b>	<b>15</b>	IN32
IN31	<b>48</b>	<b>14</b>	IN30
IN27	<b>47</b>	<b>13</b>	IN26
IN25	<b>46</b>	<b>12</b>	IN24
IN23	<b>45</b>	<b>11</b>	IN22
IN21	<b>44</b>	<b>10</b>	IN20
IN17	<b>43</b>	<b>9</b>	IN16
IN15	<b>42</b>	<b>8</b>	IN14
IN13	<b>41</b>	<b>7</b>	IN12
IN11	<b>40</b>	<b>6</b>	IN10
IN07	<b>39</b>	<b>5</b>	IN06
IN05	<b>38</b>	<b>4</b>	IN04
IN03	<b>37</b>	<b>3</b>	IN02
IN01	<b>36</b>	<b>2</b>	IN00
+24Vin	<b>35</b>	<b>1</b>	+24Vin

### Matched I/O Card

- ▶ DI08264 : 64 isolated DI + 16 TTL I/O PCIe P.75