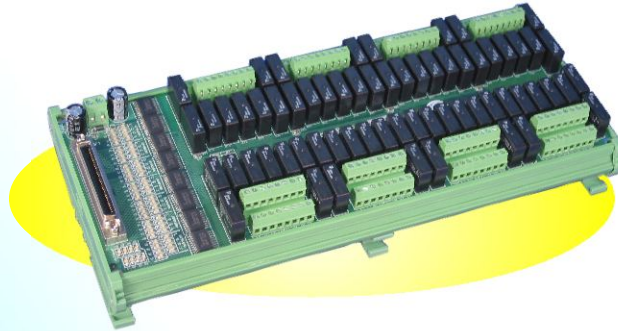




Bridging the Gap between Real World and Computer

DI08265 Wiring Board

ADP8265DIN(R) CE ROHS

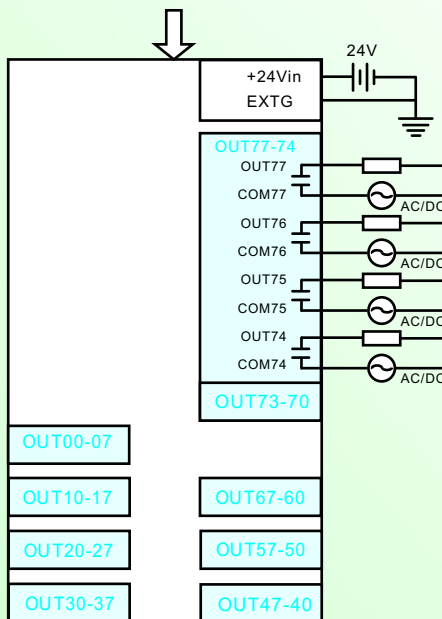


Specifications

- ▶ Power requirement : 24Vdc ± 4Vdc
- ▶ Output : 64 with LED indicator, 8 digit per group with Green LED at first digit
- ▶ Power Indicator : Red LED
- ▶ Connector : One 68-pin SCSI-II centronic female connector
- ▶ Operation Temperature : 0 °C ~ +70 °C
- ▶ Operation Humidity : 5~95% RH, non-condensing
- ▶ Dimension : 274(W)*107(L)*45(H)mm
10.8(W)*4.3(L)*1.8(H)in

Wiring Diagram

SCSI cable from main card



Pin Assignments

+24Vin	68	34	+24Vin
OUT77	67	33	OUT76
OUT75	66	32	OUT74
OUT73	65	31	OUT72
OUT71	64	30	OUT70
OUT67	63	29	OUT66
OUT65	62	28	OUT64
OUT63	61	27	OUT62
OUT61	60	26	OUT60
OUT57	59	25	OUT56
OUT55	58	24	OUT54
OUT53	57	23	OUT52
OUT51	56	22	OUT50
OUT47	55	21	OUT46
OUT45	54	20	OUT44
OUT43	53	19	OUT42
OUT41	52	18	OUT40
OUT37	51	17	OUT36
OUT35	50	16	OUT34
OUT33	49	15	OUT32
OUT31	48	14	OUT30
OUT27	47	13	OUT26
OUT25	46	12	OUT24
OUT23	45	11	OUT22
OUT21	44	10	OUT20
OUT17	43	9	OUT16
OUT15	42	8	OUT14
OUT13	41	7	OUT12
OUT11	40	6	OUT10
OUT07	39	5	OUT06
OUT05	38	4	OUT04
OUT03	37	3	OUT02
OUT01	36	2	OUT00
+24Vin	35	1	+24Vin

Matched I/O Card

▶ DI08265 : 64O Digital+16TTL I/O PCIe P.77