

F TO V

F TO V MODULE

USER'S MANUAL (V1.1)

健昇科技股份有限公司

JS AUTOMATION CORP.

新北市汐止區中興路 100 號 6 樓
6F., No.100, Zhongxing Rd.,
Xizhi Dist., New Taipei City, Taiwan

TEL : +886-2-2647-6936

FAX : +886-2-2647-6940

<http://www.automation.com.tw>

<http://www.automation-js.com/>

E-mail : control.cards@automation.com.tw

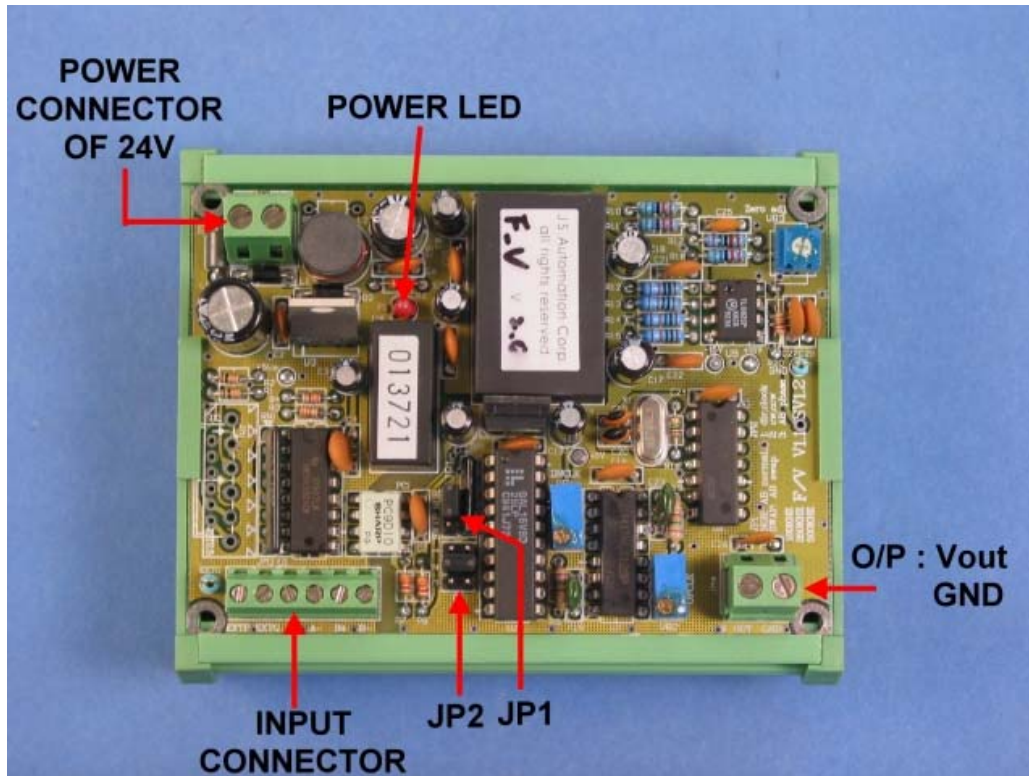
Correction record

Version	Record

Frequency to voltage converter:

Specification:

Power requirement: 24Vdc
Input pulse type: quadrature dual phase, cw/ccw, clock/dir
Input frequency range: 1Kpps to 100Kpps
Output voltage: +- 10V
Fully input output isolated



Function description

JP2	
PIN	Function
1	Clock/ DIR input
2	CW / CCW input
3	Quadrature A 、 B phase

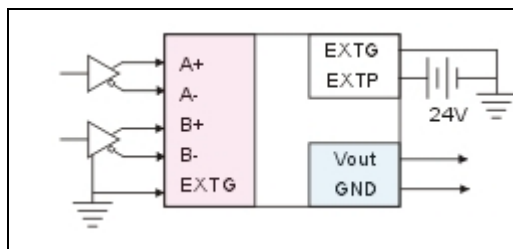
JP1		
1	Short	A 、 B Normal
2		
2	Short	A 、 B input swap
3		

Power connector	
EXTP	Power input of 24V
EXTG	Ground

O/P	
Vout	Voltage output
GND	Ground

Input connector	
	Function
EXTP	Power input of 24V
EXTG	Ground
A+	Clock/CW/A phase + input
A-	Clock/CW/A phase - input
B+	Dir/CCW/ B phase + input
B-	Dir/CCW/ B phase - input

Differential



Single-end

