

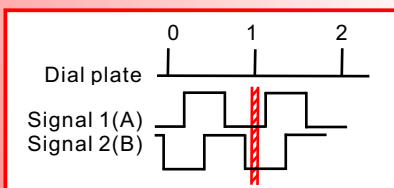


Bridging the Gap between Real World and Computer

Manual Pulse Generator

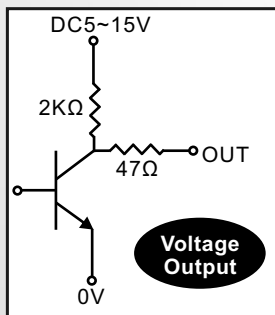


Click Point

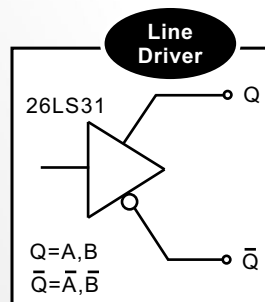


- Click-stop position falls within hatched area.

Output Type



Voltage Output



Line Driver

Connection

	1	2	3	4	5	6
Voltage Output	5V ~ 15V	0V	A	B	-	-
Line Driver	5V	0V	A	A̅	B	B̅

Features

- ▶ Extra-short body and light weight design pulse generator, only 21mm deep to back of panel and weighing 270g.
- ▶ 5-15V DC power supply, with standard line driver output suitable for long-distance transmission.
- ▶ Suitable applications for NC machines by providing home position and interruption signal.

Specifications

Voltage Output Type

- ▶ Power Requirement : 5Vdc ~ 15Vdc
- ▶ Current Requirements : 60mA (max.)
- ▶ Frequency Response : 5KHz
- ▶ Output Voltage : $V_H = V_{CC} \times 0.7$ (min.); $V_L = 0.5V$ (max.)
- ▶ Rise/Fall time : 1usec (max.)
- ▶ Resolution (P/R) : 100
- ▶ Normal Rotational Speed : 200r/min or less
- ▶ Slew Speed : 600r/min
- ▶ Dial Click Life : 3×10^5 turns (200rpm Less)
- ▶ Operation Temperature : -10 °C ~ +60 °C
- ▶ Weight : 270g

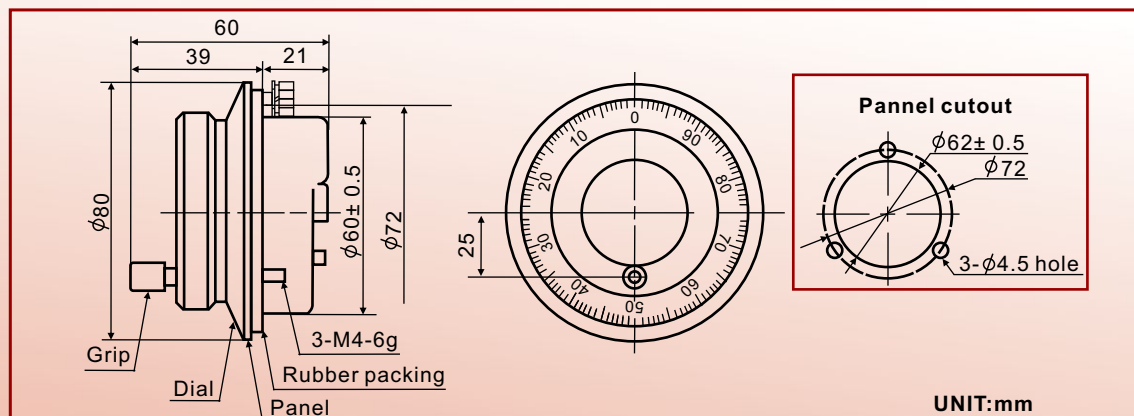
Line Driver Type

- ▶ Power Requirement : 5Vdc \pm 0.25Vdc
- ▶ Current Requirements : 160mA (max.)
- ▶ Frequency Response : 5KHz
- ▶ Output Voltage : $V_H = 2.5V$ (min.); $V_L = 0.5V$ (max.)
- ▶ Rise/Fall time : 0.1usec (max.)
- ▶ Resolution (P/R) : 100
- ▶ Normal Rotational Speed : 200r/min or less
- ▶ Slew Speed : 600r/min
- ▶ Dial Click Life : 3×10^5 turns (200rpm Less)
- ▶ Operation Temperature : 0 °C ~ +60 °C
- ▶ Weight : 270g

Ordering Information

- ▶ JS90LGF100 : Manual Pulse Generator (Voltage Output)
- ▶ JS90LGF100-3 : Manual Pulse Generator (Line Driver Output)

Dimensions



UNIT:mm